



## Light Remote Condenser



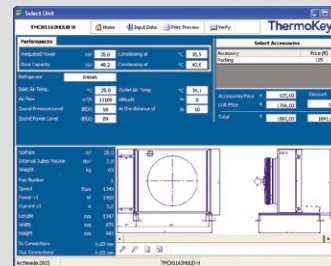
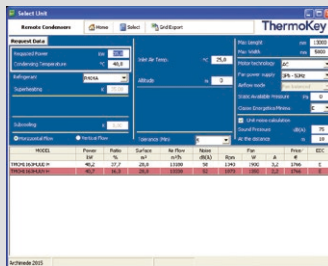
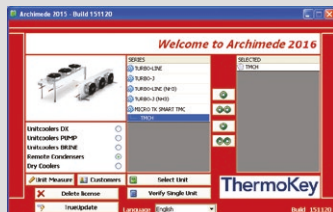
**Intelligence  
is 100% aluminium.**



The new range of remote condensers with TKMicro exchanging core. The maximum expression of microchannel technology.



NOW AVAILABLE IN THE LATEST VERSION OF ARCHIMEDE SOFTWARE



## **It is the new ThermoKey condenser**

---

designed to meet the target market

## **Its exchanging core is in long-life aluminium alloy**

---

it is a light, easily recyclable and corrosion resistant product

## **Only standard components**

---

they ensure installation flexibility and a delivery time in 5 working days

## **All the application needs**

---

it is reliable, low profile and suitable for different conditions and solutions

## **It is ecological and economical**

---

it uses 60% less refrigerant, it has low cleaning and maintenance costs and an excellent €/kW ratio

## **It is innovative and flexible**

---

the same model can be installed in vertical or horizontal version with fans for industrial application

# Less is more

The new platform has been designed through a series of innovative solutions, that guarantee higher performance and efficiency.

## LESS WEIGHT

50% less in weight/capacity ratio  
(easier to be moved and installed)

## LESS CONSUMPTION

60% less refrigerant charge  
(fewer controls according to regulations)

## LOWER COSTS

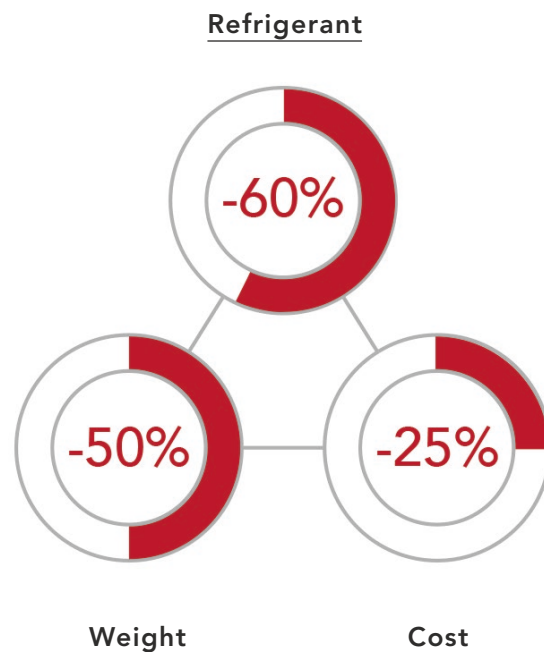
25% less in cost/kw ratio  
(less consumption, more efficiency)

## LESS ENVIROMENTAL IMPACT

100% recyclable material  
(environment friendly)

## EFFICIENT TRANSPORT

Lighter and stackable crates  
(cost reduction by 30 to 50%)



## TECHNICAL DATA

Capacity: 97,8 kw

Air flow: 26400 m<sup>3</sup>/h

Weight: 110 kg

Height: 1156 mm

Length: 2347 mm

kW/kg: 0,89

Delta temperatura: 15°K

Refrigerant: R404A

# TKSmart for food industry

TKSmart has quickly found a perfect application in the food industry.

The food brand Zakład Drobiarskie in Poland, a company that deals with the preparation of poultry meat, has chosen Thermokey for the conditioning of its work rooms.

## SOLUTION

2 TKSmart, model TMCH1350HLLDV:

- Unit capacity 68 kw
- Unit weight 105 kg
- Internal refrigerant volume 3,17 dm<sup>3</sup>

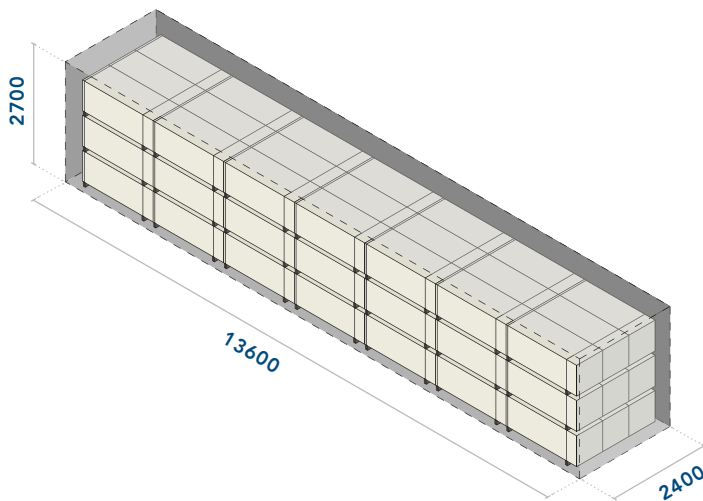
## THE COMPANY

Zakład Drobiarski w Stasinie a Mazovia Voivodeship based poultry slaughtering, processing and confectioning plant established in 2007 which has the most modern and recognized equipment at its disposal.

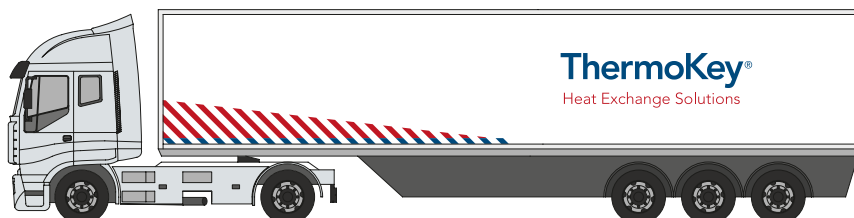
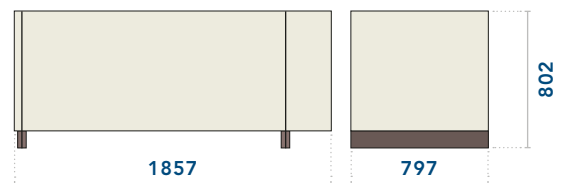
## EFFICIENT SERVICE

Thanks to stackable crates it is possible to load more crates allowing the customers to save up to 50% of transport costs.

In a truck 13.6 meters long, we can load up to 63 packages TKSmart, model TMCH1250HLLD.



## TKSmart, model TMCH1250HLLD



# Wide Modularity

The various TKSmart solutions and their combinations create a wide range of models with different features and performances, among which you can choose the most suitable solutions.

The given values have been obtained by considering R404A refrigerant gas and delta temperature 15K.

Model	Fan type	Weight kg	Volume dm <sup>3</sup>	Connections		Power range kw
				IN mm	OUT mm	
TMCH1140HLLM	230V - 1ph - 50Hz	35	1,6	1x22	1x22	0 — 13,4
TMCH1240HLLM	230V - 1ph - 50Hz	65	2,4	1x22	1x22	0 — 27,2
TMCH1340HLLM	230V - 1ph - 50Hz	95	3,2	1x28	1x28	0 — 41,1
TMCH1150HLLD	400V - 3ph - 50Hz(A)	38,5	1,6	1x22	1x22	0 — 22,1
TMCH1150HLLY	400V - 3ph - 50Hz(Y)	38,5	1,6	1x22	1x22	0 — 17,6
TMCH1150HLLM	230V - 1ph - 50Hz	38,5	1,6	1x22	1x22	0 — 21,8
TMCH1250HLLD	400V - 3ph - 50Hz(A)	72	2,4	1x22	1x22	0 — 45,6
TMCH1250HLLY	400V - 3ph - 50Hz(Y)	72	2,4	1x22	1x22	0 — 35,7
TMCH1250HLLM	230V - 1ph - 50Hz	72	2,4	1x22	1x22	0 — 44,8
TMCH1350HLLD	400V - 3ph - 50Hz(A)	105,5	3,2	1x28	1x28	0 — 68,5
TMCH1350HLLY	400V - 3ph - 50Hz(Y)	105,5	3,2	1x28	1x28	0 — 54,1
TMCH1350HLLM	230V - 1ph - 50Hz	105,5	3,2	1x28	1x28	0 — 67,9
TMCH1150HUUD	400V - 3ph - 50Hz(A)	56	2,8	1x22	1x22	0 — 29
TMCH1150HUUY	400V - 3ph - 50Hz(Y)	56	2,8	1x22	1x22	0 — 23
TMCH1150HUUM	230V - 1ph - 50Hz	56	2,8	1x22	1x22	0 — 29
TMCH1250HUUD	400V - 3ph - 50Hz(A)	96	4,4	1x28	1x28	0 — 58,8
TMCH1250HUUY	400V - 3ph - 50Hz(Y)	96	4,4	1x28	1x28	0 — 46,3
TMCH1250HUUM	230V - 1ph - 50Hz	96	4,4	1x28	1x28	0 — 58,5
TMCH1163HUUD	400V - 3ph - 50Hz(A)	63	2,8	1x28	1x28	0 — 47,2
TMCH1163HUUY	400V - 3ph - 50Hz(Y)	63	2,8	1x28	1x28	0 — 38,5
TMCH1263HUUD	400V - 3ph - 50Hz(A)	110	4,4	1x28	1x28	0 — 97,8
TMCH1263HUUY	400V - 3ph - 50Hz(Y)	110	4,4	1x28	1x28	0 — 79,6



## AVAILABLE MODELS

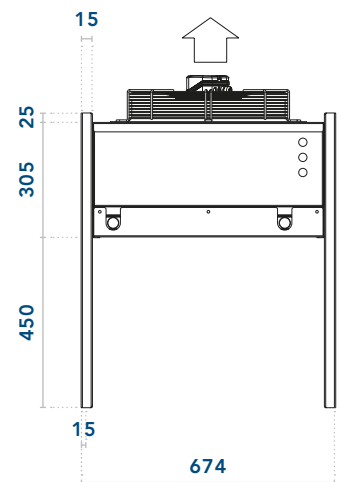
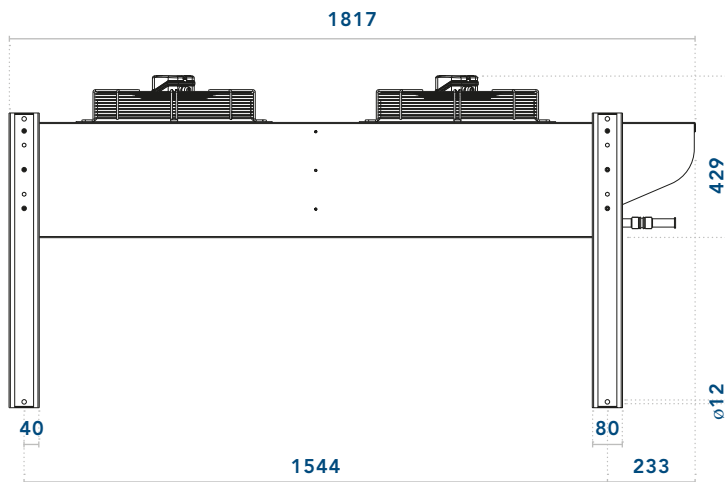
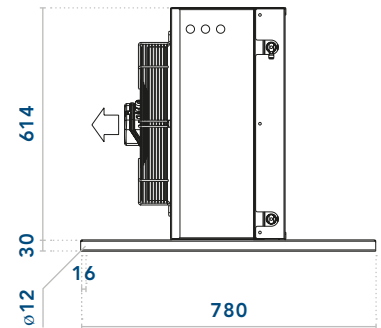
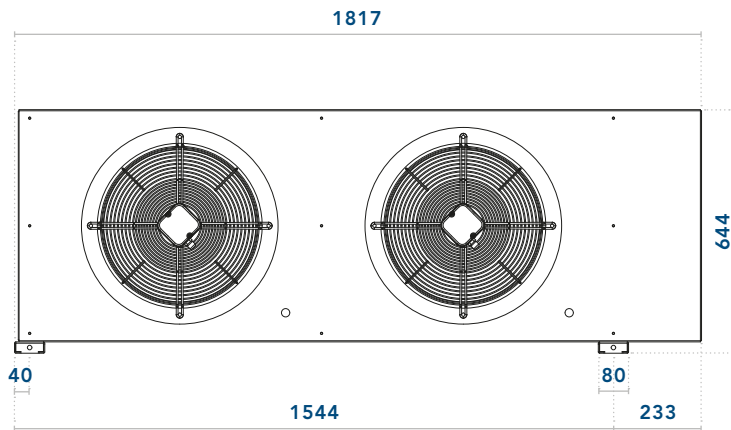
### Modularity

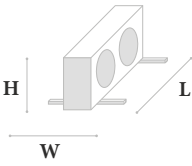
Three fans diameter available ( Ø 400, Ø 500, Ø 630), single-phase and three-phase fans, installed on horizontal and vertical modules 600 and 900 mm high.

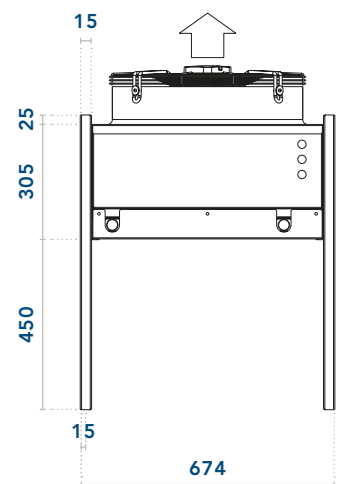
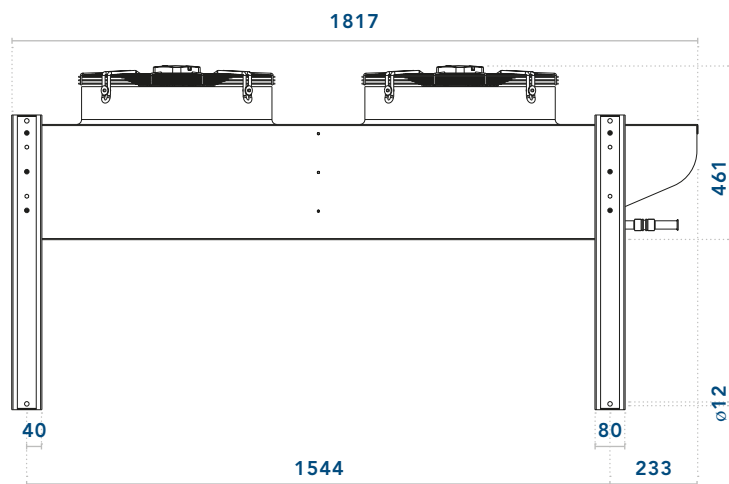
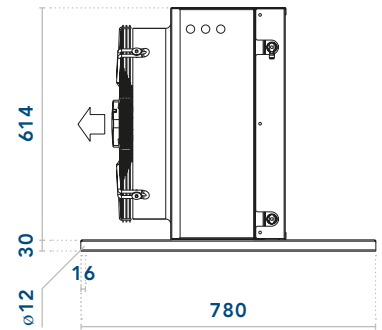
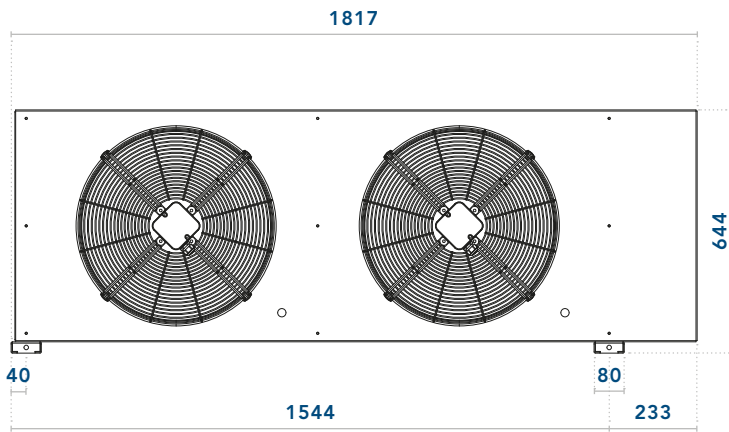
<b>Model</b> <b>TMCH1140HLLM</b>		<b>Model</b> <b>TMCH1150HLLD</b> <b>TMCH1150HLLY</b> <b>TMCH1150HLLM</b>	
<b>Model</b> <b>TMCH1240HLLM</b>		<b>Model</b> <b>TMCH1250HLLD</b> <b>TMCH1250HLLY</b> <b>TMCH1250HLLM</b>	
<b>Model</b> <b>TMCH1340HLLM</b>		<b>Model</b> <b>TMCH1350HLLD</b> <b>TMCH1350HLLY</b> <b>TMCH1350HLLM</b>	
<b>Model</b> <b>TMCH1150HUUD</b> <b>TMCH1150HUUY</b> <b>TMCH1150HUUM</b>		<b>Model</b> <b>TMCH1163HUUD</b> <b>TMCH1163HUUY</b>	
<b>Model</b> <b>TMCH1250HUUD</b> <b>TMCH1250HUUY</b> <b>TMCH1250HUUM</b>		<b>Model</b> <b>TMCH1263HUUD</b> <b>TMCH1263HUUY</b>	

AVAILABLE MODELS

Model		Connection	Size horizontal air flow		Size vertical air flow
TMCH1140HLLM	Weight 35 kg	IN 1 x 22 mm	W 780 mm		W 674 mm
	Volume 1,6 dm <sup>3</sup>	OUT 1 x 22 mm	H 644 mm		H 879 mm
TMCH1240HLLM			L 1067 mm		L 1067 mm
	Weight 65 kg	IN 1 x 22 mm	W 780 mm		W 674 mm
	Volume 2,4 dm <sup>3</sup>	OUT 1 x 22 mm	H 644 mm		H 879 mm
TMCH1340HLLM			L 1817 mm		L 1817 mm
	Weight 95 kg	IN 1 x 28 mm	W 780 mm	W 674 mm	
	Volume 3,2 dm <sup>3</sup>	OUT 1 x 28 mm	H 644 mm	H 879 mm	
			L 2567 mm	L 2567 mm	Scale 1:20

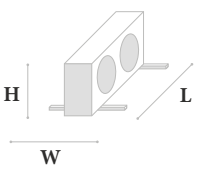
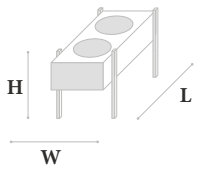


Model	Weight	Connection	Size horizontal air flow		Size vertical air flow	
<b>TMCH1150HLLD</b> <b>TMCH1150HLLY</b> <b>TMCH1150HLLM</b>	38,5 kg	IN 1 x 22 mm	W 780 mm		W 674 mm	
	1,6 dm <sup>3</sup>	OUT 1 x 22 mm	H 644 mm		H 911 mm	
<b>TMCH1250HLLD</b> <b>TMCH1250HLLY</b> <b>TMCH1250HLLM</b>	72 kg	IN 1 x 22 mm	W 780 mm		L 1067 mm	W 674 mm
	2,4 dm <sup>3</sup>	OUT 1 x 22 mm	H 644 mm		H 644 mm	H 911 mm
<b>TMCH1350HLLD</b> <b>TMCH1350HLLY</b> <b>TMCH1350HLLM</b>	105,5 kg	IN 1 x 28 mm	W 780 mm		L 1817 mm	W 674 mm
	3,2 dm <sup>3</sup>	OUT 1 x 28 mm	H 644 mm		H 644 mm	H 911 mm
			L 2567 mm		L 2567 mm	
					Scale 1:20	

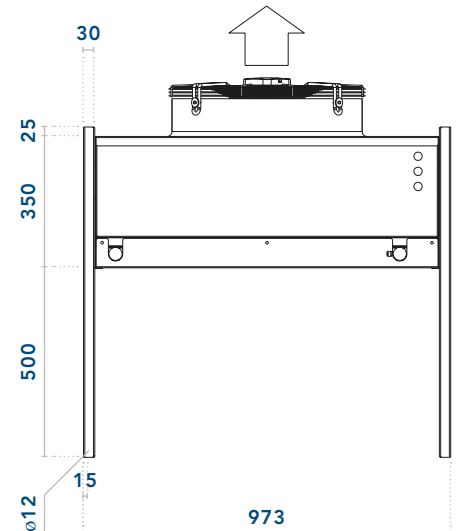
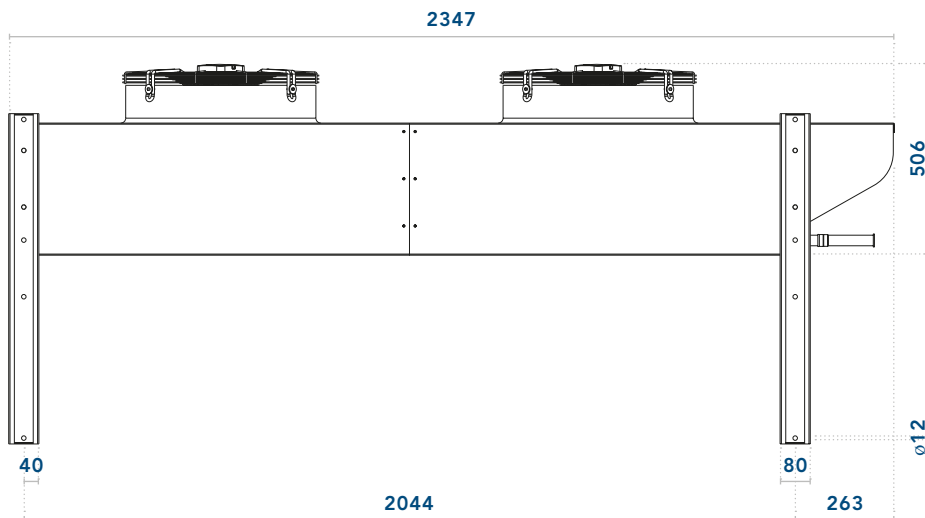
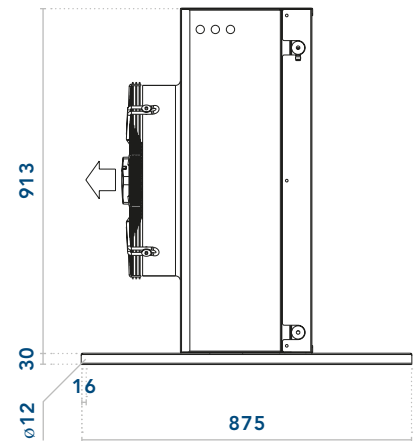
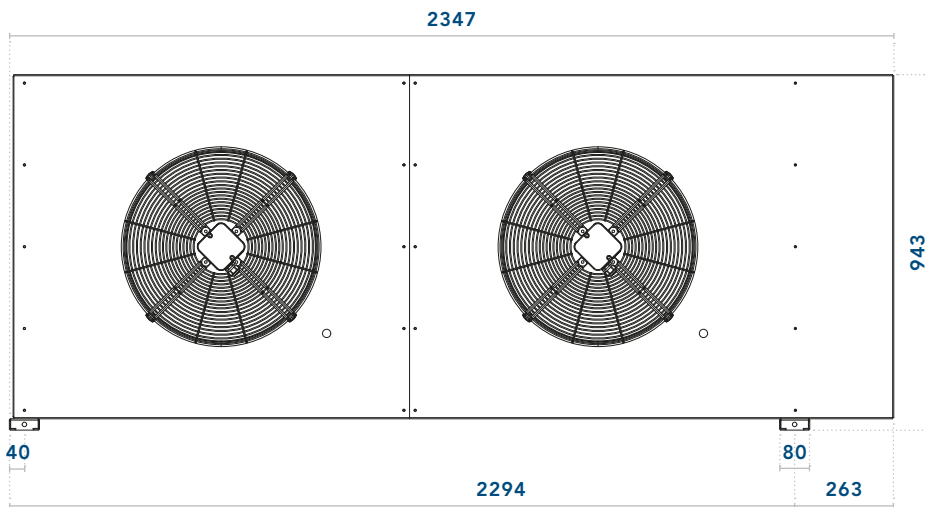


AVAILABLE MODELS

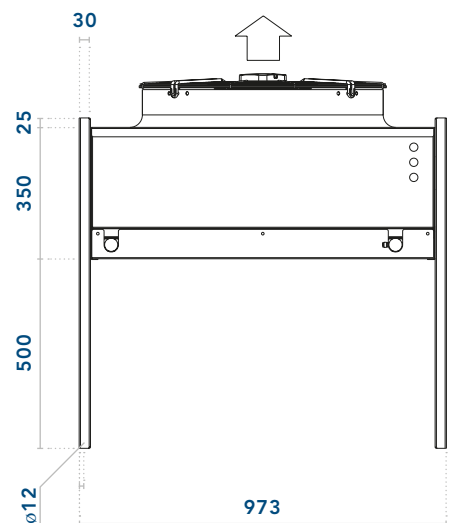
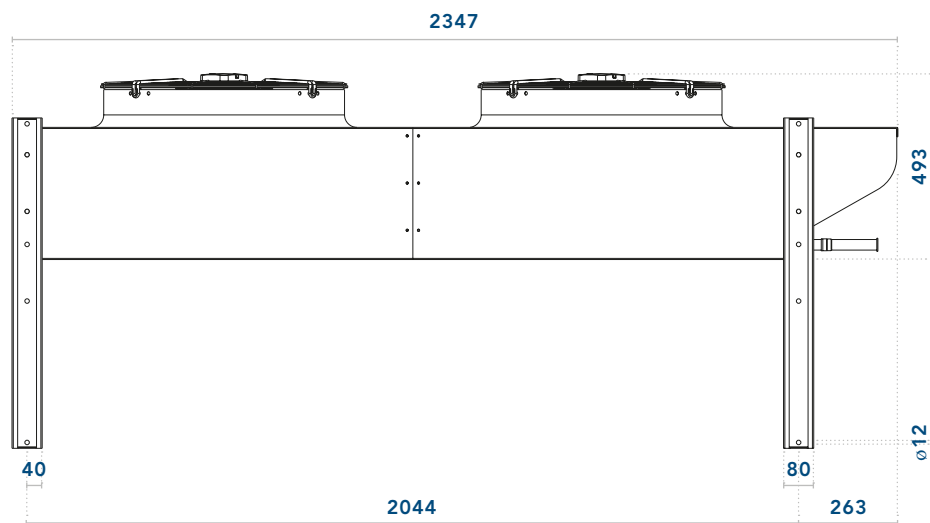
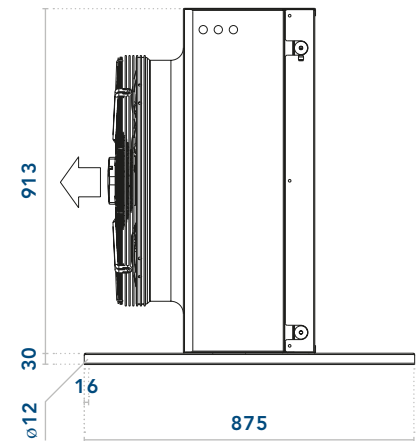
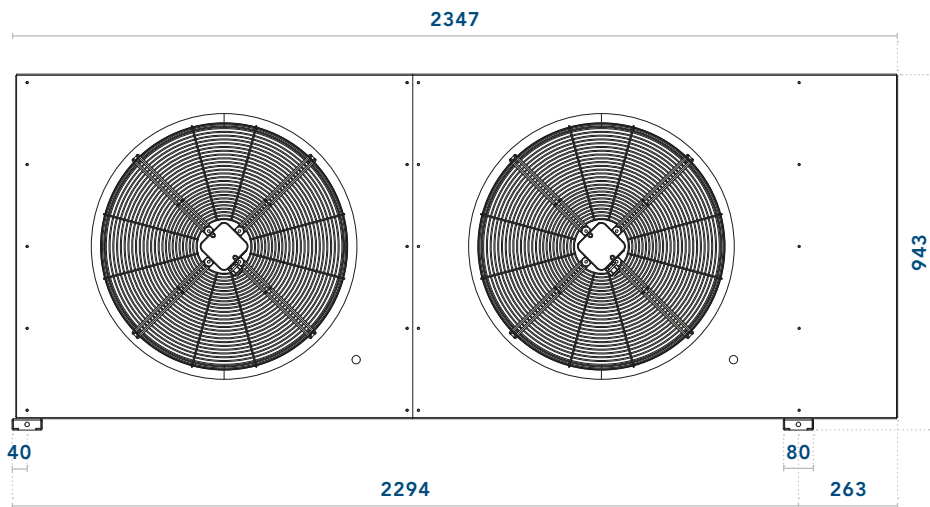
Model	Weight	Volume	Connection	Size horizontal air flow	Size vertical air flow
TMCH1150HUUD	56 kg	2,8 dm <sup>3</sup>	IN 1 x 22 mm	W 875 mm	W 973 mm
TMCH1150HUUY	2,8 dm <sup>3</sup>		OUT 1 x 22 mm	H 943 mm	H 1006 mm
TMCH1150HUUM			L 1347 mm	L 1347 mm	
TMCH1250HUUD	96 kg	4,4 dm <sup>3</sup>	IN 1 x 28 mm	W 875 mm	W 973 mm
TMCH1250HUUY	4,4 dm <sup>3</sup>		OUT 1 x 28 mm	H 943 mm	H 1006 mm
TMCH1250HUUM			L 2347 mm	L 2347 mm	

Scale 1:20



Model	Weight	Connection	Size horizontal air flow	Size vertical air flow
TMCH1163HUUD TMCH1163HUUY	63 kg	IN 1 x 28 mm	W 875 mm	W 973 mm
	2,8 dm <sup>3</sup>	OUT 1 x 28 mm	H 943 mm L 1347 mm	H 993 mm L 1347 mm
TMCH1263HUUD TMCH1263HUUY	110 kg	IN 1 x 28 mm	W 875 mm	W 973 mm
	4,4 dm <sup>3</sup>	OUT 1 x 28 mm	H 943 mm L 2347 mm	H 993 mm L 2347 mm
Scale 1:20				



T M C H 1 2 50 H U U D H W(l) A

• CONFIGURATION

T Table type

• MICROCHANNEL CORE

• CONDENSER WITH 25 MPE

• SOUND LEVEL

H High noise

• NUMBER OF FAN ROW (ONLY 1)

• NUMBER OF FANS PER ROW

• FAN DIAMETER

40 400 mm

50 500 mm

63 630 mm

• NUMBER OF MICROCHANNEL ROW

• CORE HIGH

L 50T = 604 mm

U 76T = 903 mm

• CORE LENGHT

L 750 mm

U 1000 mm

• FAN CONNECTION

D Delta

Y Star

M Monophase

• AIR FLOW DIRECTION

H Horizontal

V Vertical

• EBOX + MAIN SWITCH

• SHOCK ABSORBER

The image features a close-up, perspective view of a series of parallel microchannels. The channels are rectangular and have a textured, ribbed interior surface. They are arranged in a row that recedes into the distance, creating a strong sense of depth. The lighting is dramatic, with the foreground channels in sharp focus and the background ones blurred. The overall color palette is dark and monochromatic, with highlights on the metallic surfaces.

# TK Micro

The most reliable  
and efficient microchannel  
on the market



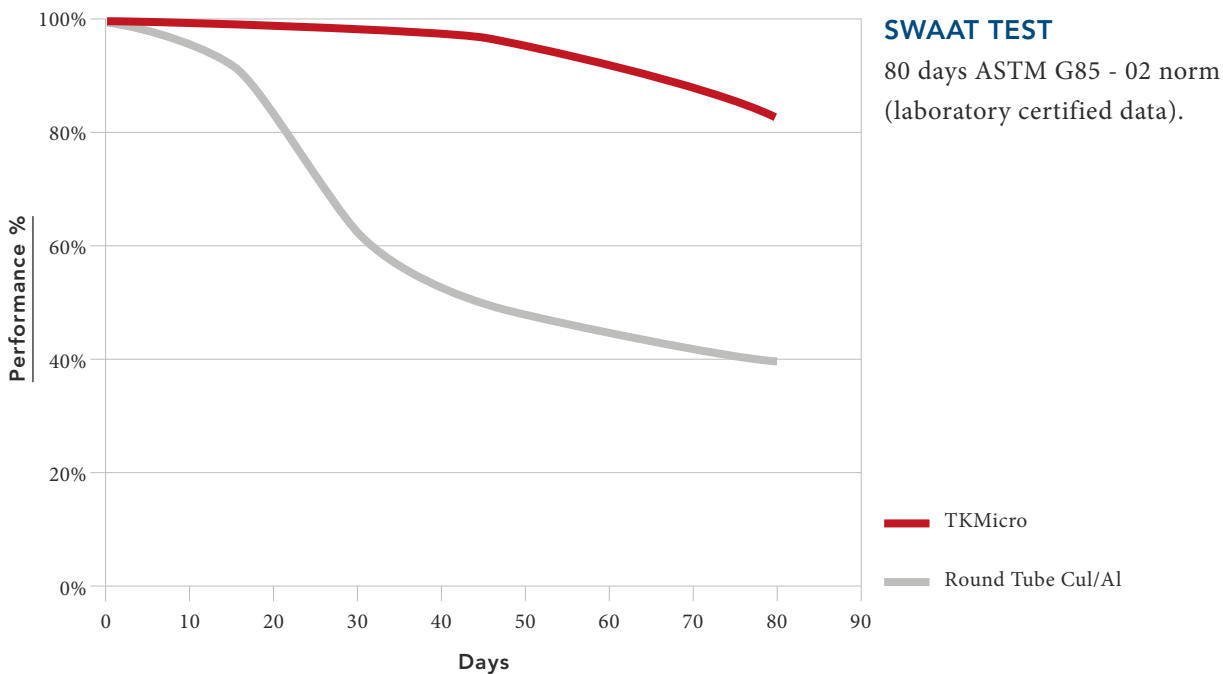
## the best solution for HVAC/R

### THE THERMOKEY MICROCHANNEL TECHNOLOGY

- The highest resistance of aluminium LLA (Long Life Alloy) to corrosion (Swaat Test over 80 days in accordance with the ASTM G85-02 norm) ensures reliability and performance.
- Thickness and configuration, unique on the market, make it more resistant to vibrations, water hammer and corrosive environments.
- The peculiar header shape reduces the pressure drops on the refrigerant side and allows the use of a single circuit.
- Suitable for all standard refrigerants (R410A, R134a, R22, R407C, R404A, R290, R507A, R245fa ect).
- The low pressure drops of TKMicro cores available in every size (up to 6 meter) allow to satisfy the needs of high-performance chiller manufacturers.
- Easy cleaning and maintenance.
- In case of need ThermoKey can provide a kit for a quick and easy repair to be used directly on site.

## More reliability

Constant performance over time even in the most aggressive environments.  
Comparison between round tube technology and TKMicro.





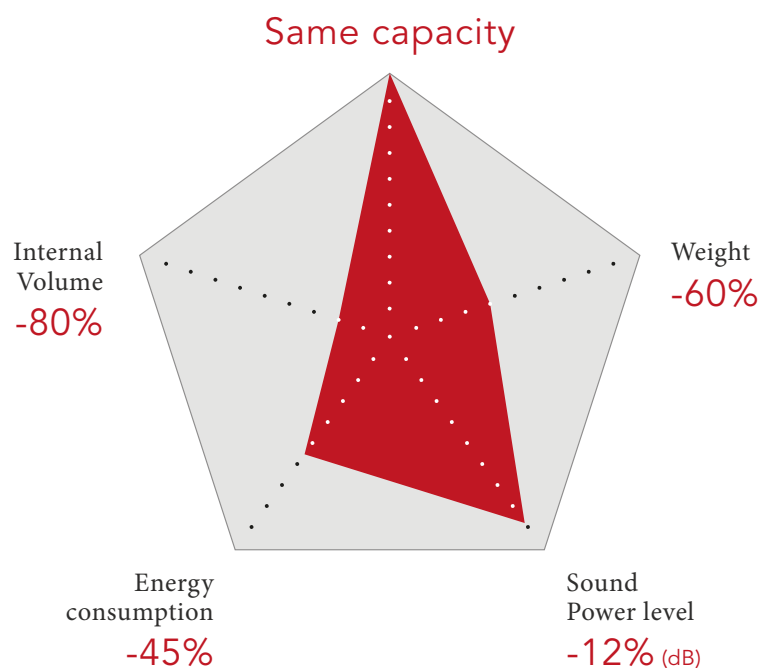
## 100% ALLOY DETAILS DESIGNED FOR MAXIMUM PERFORMANCE

ThermoKey engineers have optimized the design of all the geometrical details of the 100% alloy cores in order to ensure the best compromise between thermodynamics performance, pressure drops and lightness. These features make ThermoKey cores the most efficient in the market.

Thermodynamics performance, pressure drops and lightness.

## More efficiency

In comparison to the top quality 4 rows round tube coil, TKMicro offers great advantages in terms of performance.



### PRECONDITIONS

Face Area (H x L)	1.200mm x 2.000mm
Air Flow	25.000 m <sup>3</sup> /h
Delta Temperature	15°C

Direction

**Acrobatik**

—

Photography

Cover: **Ph. Eugenio Novajra**

—

Printed in Italy by

**Grafiche Filacorda**

—

TKS0116EN



# ThermoKey®

Heat Exchange Solutions

**ThermoKey Spa**  
via dell'Industria, 1 - 33061  
Rivarotta di Rivignano Teor (UD) - Italy

T. +39 0432 772300  
F. +39 0432 779734  
info@thermokey.com  
www.thermokey.com

